



SERVING THE FOOD INDUSTRY SINCE 1951

EQUIPMENT FILLER TABLES

Maximize your busy kitchen space using Omcan's equipment filler tables. It is a convenient solution to store equipment and other kitchen tools, where you can keep everything close and ready to use.

FEATURES

- 18 Gauge. 430 Stainless steel top shelf with 4" back splash
- 18 Gauge. Galvanized undershelf and hat channel
- Galvanized leg and socket,
- plastic bullet foot



WARRANTY



Authorized Dealer

HANDLING AND STORAGE

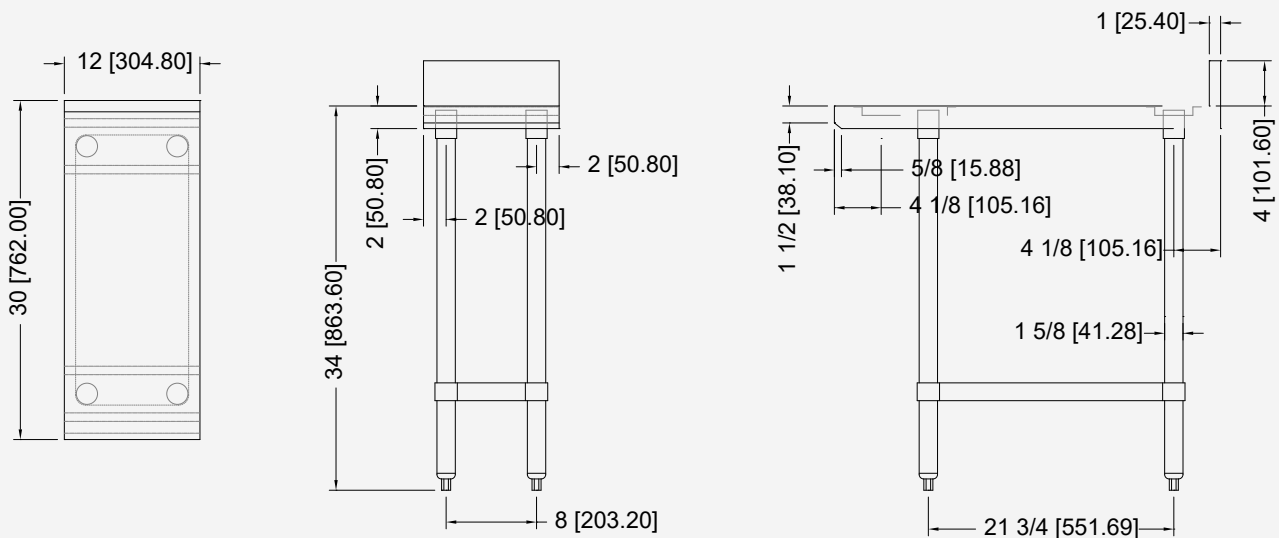
30" x 12" EQUIPMENT FILLER TABLE WITH 4" BACKSPLASH



TECHNICAL SPECIFICATIONS

ITEM	46513
MATERIAL	18 Gauge. 304 Stainless Steel
TOP SHELF CAPACITY	420 lbs. / 190.5 kg.
UNDERSHELF CAPACITY	300 lbs. / 136 kg.
UNDERSHELF DIMENSIONS	6" x 24" / 152.4 x 609.6 mm
OVER-ALL DIMENSIONS (DWH)	30" x 12" x 34" (38" with backsplash) 762 x 304.8 x 863.6 mm
GROSS DIMENSIONS	35" x 13" x 7" / 889 x 330.2 x 177.8 mm
WEIGHT	27 lbs. / 12.24 kg.
GROSS WEIGHT	29 lbs. / 13.15 kg.

TECHNICAL DRAWINGS WITH DETAILED DIMENSIONS



OMCAN INC.

Telephone: 1-800-465-0234
 Fax: (905) 607-0234
 Email: sales@omcan.com
 Website: www.omcan.com



Follow us to keep up to date with the latest news and offers



HANDLING AND STORAGE

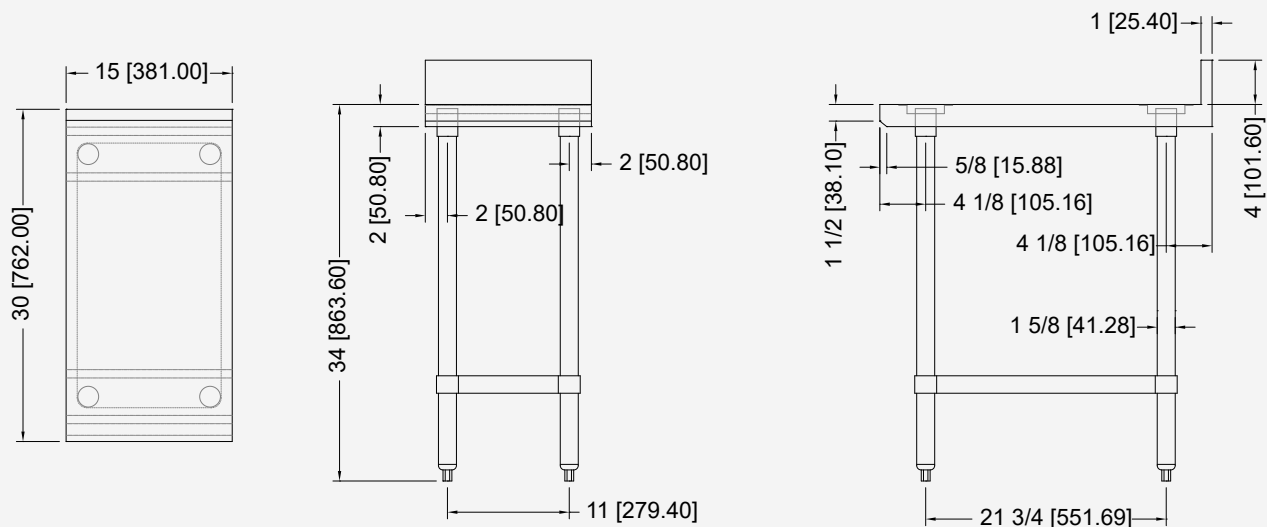
30" x 15" EQUIPMENT FILLER TABLE WITH 4" BACKSPLASH



TECHNICAL SPECIFICATIONS

ITEM	46514
MATERIAL	18 Gauge. 304 Stainless Steel
TOP SHELF CAPACITY	420 lbs. / 190.5 kg.
UNDERSHELF CAPACITY	300 lbs. / 136 kg.
UNDERSHELF DIMENSIONS	9" x 24" / 228.6 x 609.6 mm
OVER-ALL DIMENSIONS (DWH)	30" x 15" x 34" (38" with backsplash) 762 x 381 x 863.6 mm
GROSS DIMENSIONS	35" x 16" x 7" / 889 x 406.4 x 177.8 mm
WEIGHT	30 lbs. / 13.6 kg.
GROSS WEIGHT	32 lbs. / 14.5 kg.

TECHNICAL DRAWINGS WITH DETAILED DIMENSIONS



OMCAN INC.

Telephone: 1-800-465-0234
 Fax: (905) 607-0234
 Email: sales@omcan.com
 Website: www.omcan.com



Follow us to keep up to date with the latest news and offers



HANDLING AND STORAGE

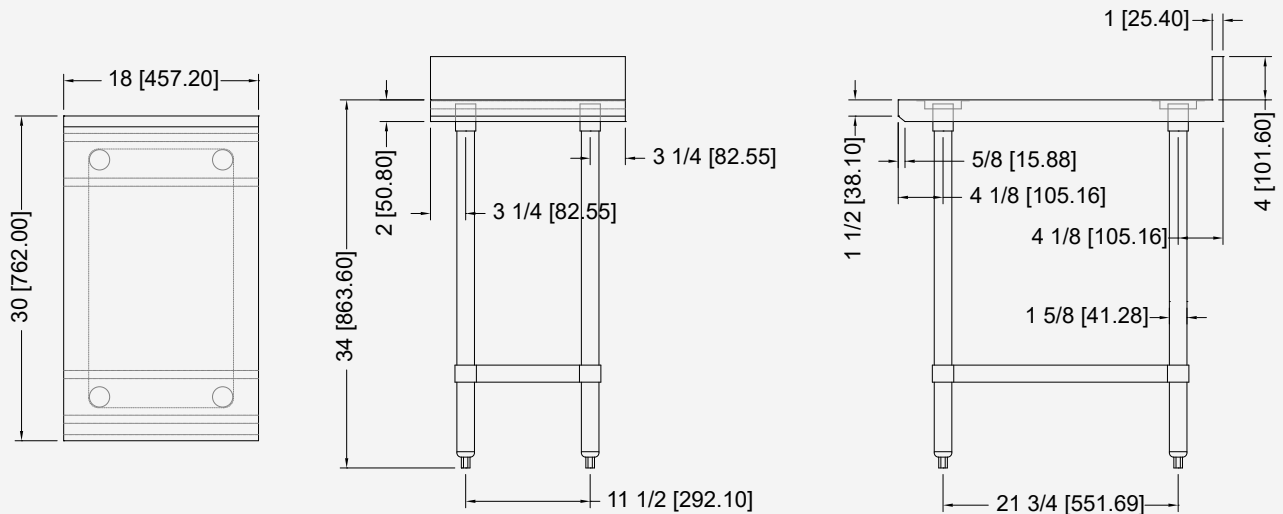
30" x 18" EQUIPMENT FILLER TABLE WITH 4" BACKSPLASH



TECHNICAL SPECIFICATIONS

ITEM	46515
MATERIAL	18 Gauge, 304 Stainless Steel
TOP SHELF CAPACITY	420 lbs. / 190.5 kg.
UNDERSHELF CAPACITY	300 lbs. / 136 kg.
UNDERSHELF DIMENSIONS	12" x 24" / 304.8 x 609.6 mm
OVER-ALL DIMENSIONS (DWH)	30" x 18" x 34" (38" with backsplash) 762 x 457.2 x 863.6 mm
GROSS DIMENSIONS	35" x 19" x 7" / 889 x 482.6 x 177.8 mm
WEIGHT	33 lbs. / 15 kg.
GROSS WEIGHT	35 lbs. / 15.9 kg.

TECHNICAL DRAWINGS WITH DETAILED DIMENSIONS



OMCAN INC.

Telephone: 1-800-465-0234
 Fax: (905) 607-0234
 Email: sales@omcan.com
 Website: www.omcan.com



Follow us to keep up to date with the latest news and offers



HANDLING AND STORAGE

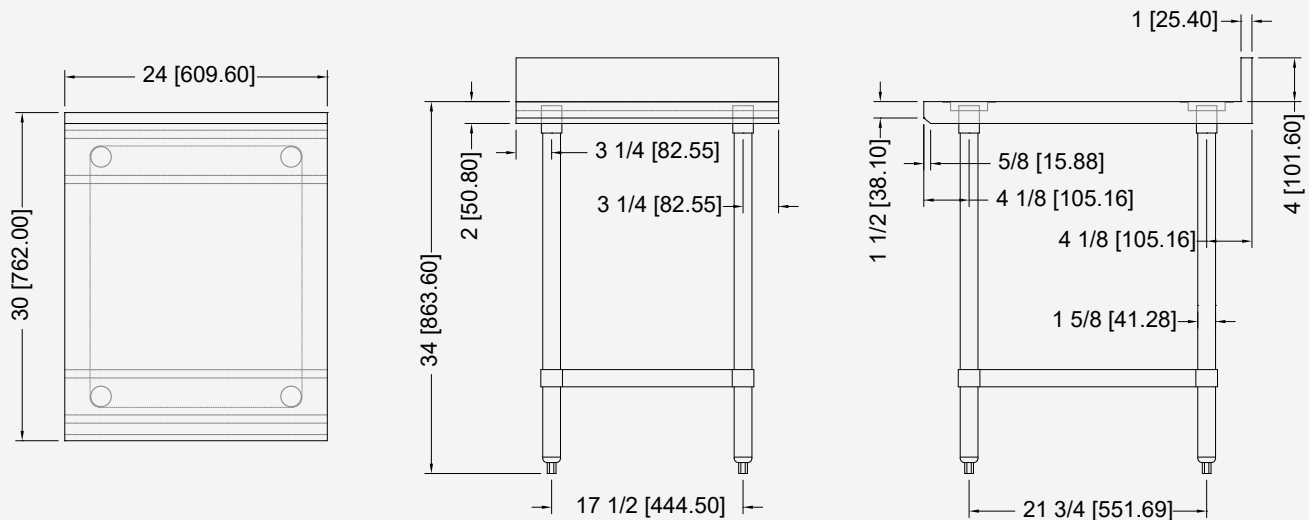
30" x 24" EQUIPMENT FILLER TABLE WITH 4" BACKSPLASH



TECHNICAL SPECIFICATIONS

ITEM	46516
MATERIAL	18 Gauge, 304 Stainless Steel
TOP SHELF CAPACITY	450 lbs. / 204 kg.
UNDERSHELF CAPACITY	330 lbs. / 150 kg.
UNDERSHELF DIMENSIONS	18" x 24" / 457.2 x 609.6 mm
OVER-ALL DIMENSIONS (DWH)	30" x 24" x 34" (38" with backsplash) 762 x 609.6 x 863.6 mm
GROSS DIMENSIONS	35" x 25" x 7" / 889 x 635 x 177.8 mm
WEIGHT	38 lbs. / 17.23 kg.
GROSS WEIGHT	40 lbs. / 18.14 kg.

TECHNICAL DRAWINGS WITH DETAILED DIMENSIONS



OMCAN INC.

Telephone: 1-800-465-0234
 Fax: (905) 607-0234
 Email: sales@omcan.com
 Website: www.omcan.com



Follow us to keep up to date with the latest news and offers

